

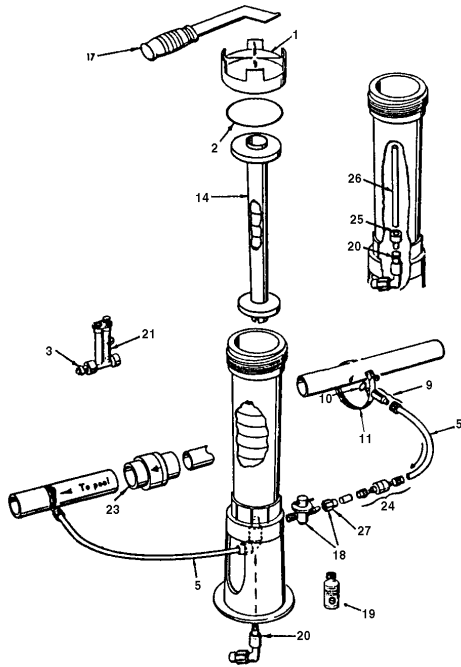


---

# SANITIZER PARTS

# AUTOMATIC FEEDER - MODEL 300, 302, 300-19, 300-29

## REPLACEMENT PARTS



Item	Qty.	Part No.	Description
Order No.:		R171016	
R171026			
Model No.:		300	302
Description:		AUTOMATIC FEEDER	SPA
HOT TUB FEEDER			

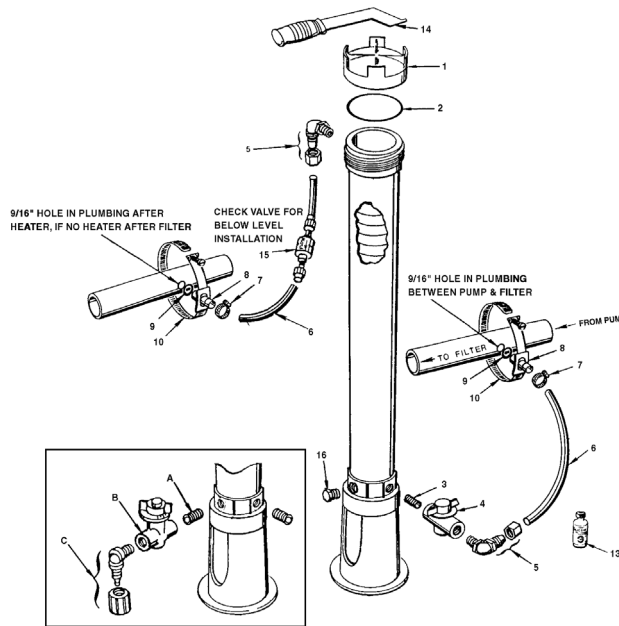
1	1	R172008W	3 in. threaded cap, white
2	1	R172009	O-ring, cap
3	Opt.	R172020	Check valve Old Style
5	1	R172023	3/8 in. o.d. x 1/4 in. i.d. tubing, 8 ft.
9	2	R172032	Tube fitting with compression nut
10	2	R172033	Gasket
11	2	R172034	Saddle clamp
14	1	R172037	Spa chamber #302 only
17	Opt.	R172052	Cap wrench
18	1	R172060	Control valve 1/4 in. NPT x tube with compression nut
19	1	R172036	Silicone lubricant, 3/4 oz.
20	1	R172061	Combination check valve / elbow
21	Opt.	R172080	Flow indicator w/check valve
23	Opt.	R172288	1-1/2 in.-2 in. Corrosion resistant check valve
24	Opt.	R172323	1/4 in. Corrosion resistant check valve
25		R172061B	Standpipe adapter, Bromine
26		R18761	6 in. Standpipe 3/8 in. o.d. x 1/4 in. i.d.
27	1	R18706	Compression nut only

Order No.: R172064			
Parts bag for 300, 302, 300-19 & 300-29			

9	2	R172032	Tube fitting with compression nut
10	2	R172033	Gasket
11	2	R172034	Saddle clamp
18	1	R172060	Control valve 1/4 in. NPT x tube with compression nut
19	1	R172036	Silicone lubricant
20	1	R172061	Combination check valve / elbow

# AUTOMATIC FEEDER - MODEL 300-29X

## REPLACEMENT PARTS

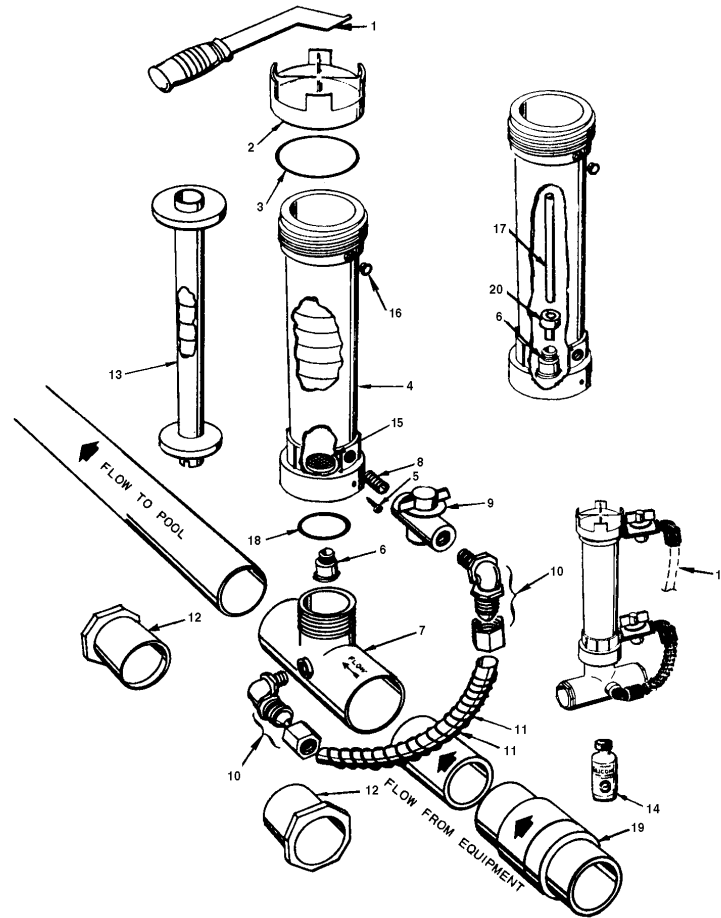


Item	Qty.	Part No.	Description
Order No.:		R171070	
Model No.:		300-29X	
Description:		COMMERCIAL SIZE FEEDER	
1	1	R172008W	3 in. threaded cap, white
2	1	R172009	O-ring, cap
3	1	R172256	1/2 in. x Short MPT nipple
4	1	R172086	1/2 in. Control valve
5	2	R172272	1/2 in. 90° NPT x tube fitting w/nut
5	Opt.	R172274	Compression nut only (for R172272)
6	1	R172269	1/2 in. i.d. Feeder tube, 12 ft.
7	2	R175013	S/S tubing clamp
8	2	R172262	Saddle tube fitting
9	2	R172263	Saddle gasket
10	2	R172264	Saddle clamp
10A	Opt.	R172264XL	Saddle clamp for 3 in., 4 in. & 6 in. pipe
11	1	R172392	1/4 in. MPT PVC plug (old style)
13	1	R172036	Silicone lubricant, 3/4 oz.
14	Opt.	R172052	Cap wrench
15	Opt.	R172324NS	1/2 in. Corrosion resistant check valve, tube x tube (ball)
16	1	R172134	1/2 in. MPT PVC plug

Item	Qty.	Part No.	Description
Order No.:		R172275	
Parts bag for 300-29X Complete			
3	1	R172256	1/2 in. x Short MPT nipple
4	1	R172086	1/2 in. Control valve
5	2	R172272	1/2 in. 90° NPT x tube fitting w/nut
5	Opt.	R172274	Compression nut only (for R172272)
7	2	R175013	S/S tubing clamp
8	2	R172262	Saddle tube fitting
9	2	R172263	Saddle gasket
10	2	R172264	Saddle clamp
13	1	R172036	Silicone lubricant
Order No.:		R172002	
Optional Drain Kit			
A		R172256	1/2 in. Short MPT nipple
B		R172086	1/2 in. Control valve
C		R172272	1/2 in. 90° NPT x tube fitting w/nut

# AUTOMATIC FEEDER - MODEL 320

## REPLACEMENT PARTS



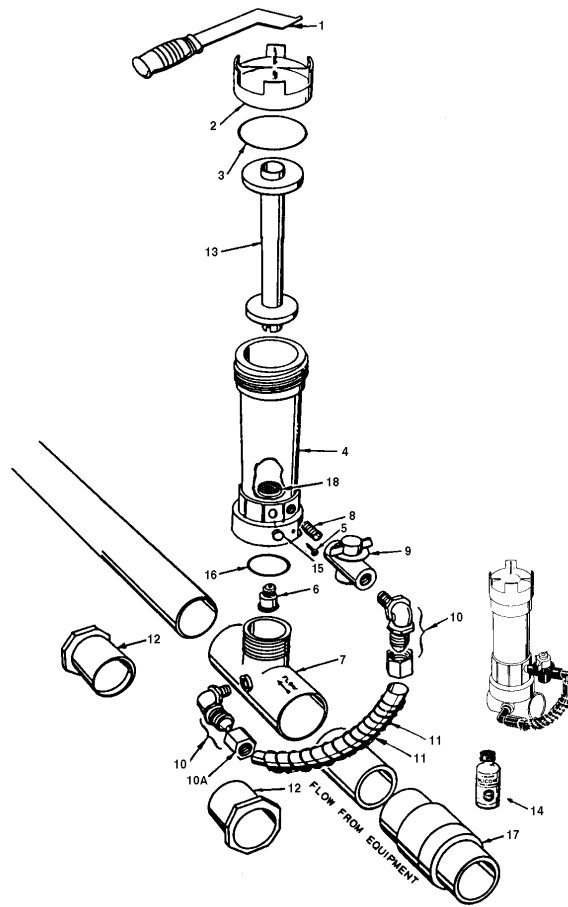
Item	Qty.	Part No.	Description
Order No.: R171096			
Model No.: 320			
Description: IN-LINE AUTOMATIC FEEDER			
1	Opt.	R172052	Cap wrench
2	1	R172008W	3 in. threaded cap - white
3	1	R172009	O-ring, cap
4	1	R172321	#320 Body only (new style)
5	1	R01052	Lock screw
6	1	R172248	Check valve
7	1	R172317	Diverter tee 1-1/2 NPT x 2 in. slip
8	1	R172256	1/2 in. x Short MPT nipple
9	1	R172086	1/2 in. Control valve
10	2	R172272	1/2 in. NPT x tube 90° ELL w/nut
10	Opt.	R172274	Compression nut only (for R172272)

Item	Qty.	Part No.	Description
11	1	R172091	5/8 in. o.d. Short feeder tube
11	Opt.	R171097	Tube support spring
12	2	R172210	2 in. x 1-1/2 in. S x S bushing for 1-1/2 in. PVC only <sup>1</sup>
13	Opt.	R172037	Spa chamber
14	1	R172036	Silicone lubricant, 3/4 oz.
15	1	210396	Screen
16	1	R172134	1/2 in. NPT PVC plug
17	1	R172253	5/8 in. o.d. 18 in. tube (optional top feed)
18	1	R172319	Bottom O-ring
19	Opt.	R172288	1-1/2 in. Corrosion resistant check valve
20	1	R172048B	Standpipe adapter, Bromine

<sup>1</sup> Not used with 2 in. PVC.

# AUTOMATIC FEEDER - MODEL 322

## REPLACEMENT PARTS



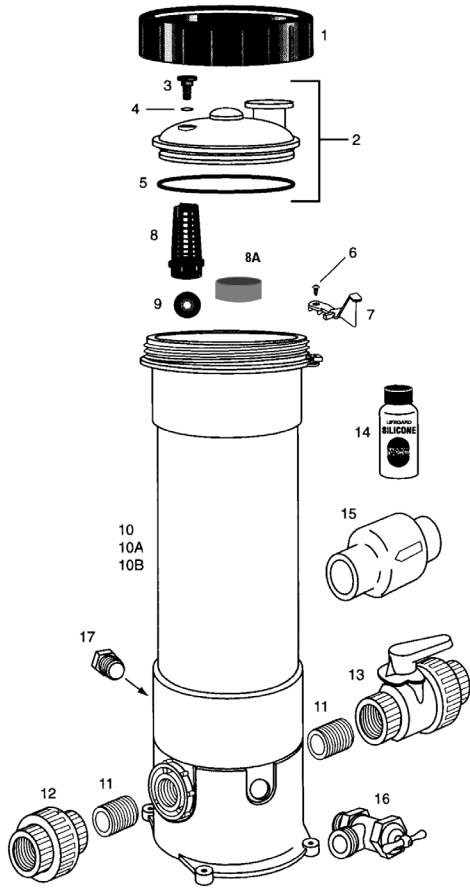
Item	Qty.	Part No.	Description
Order No.: R171100			
Model No.: 322			
Description: IN-LINE FEEDER			
1	Opt.	R172052	Cap wrench
2	1	R172008W	3 in. threaded cap, white
3	1	R172009	O-ring, cap
5	1	R01052	Lock screw
6	1	R172331	Check valve w/ restrictor
7	1	R172317	Diverter tee 1-1/2 NPT x 2 in. slip x slip
8	1	R172256	1/2 in. x Short MPT nipple
9	1	R172086	1/2 in. Control valve
10	2	R172272	1/2 in. NPT x tube 90° ELL w/nut

Item	Qty.	Part No.	Description
10A	Opt.	R172274	Compression nut only (for R172272)
11	1	R172091	5/8 in. o.d. short feeder tube
11	1	R171097	Tube support spring
12	2	R172210	2 in. x 1-1/2 in. S x S bushing (for 1-1/2 in. PVC only) <sup>1</sup>
13	1	R172258	Chemical chamber
14	1	R172036	Silicone lubricant, 3/4 oz.
15	1	R172007	1/4 in. NPT plug
16	1	R172319	Bottom O-ring
17	Opt.	R172288	1-1/2 in.-2 in. Corrosion resistant check valve
18	1	210396	Screen

<sup>1</sup> Not used with 2 in. PVC.

# HIGH CAPACITY AUTOMATIC FEEDERS MODELS HC-3315, HC-3330, HC-3340

## REPLACEMENT PARTS

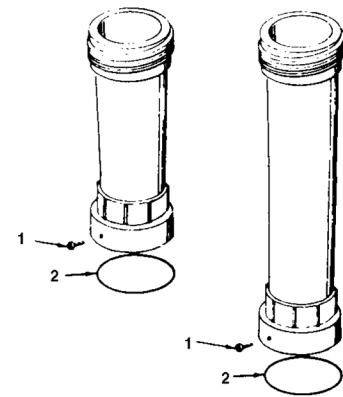


Item	Qty.	Part No.	Description
Order No.: R171215, R171230, R171240			
Model No.: HC-3315, HC-3330, HC-3340			
Description: HIGH CAPACITY AUTOMATIC FEEDER			
1	1	R172214	Lock ring
2	1	R172385D	Lid assembly complete
3	1	R172224X	Vent valve
4	1	R172221	O-ring vent valve
5	1	R172240	O-ring lid to housing
6	1	R172375	Lock screw
7	1	R172374	Lock spring
8	1	R175251	Screen
8A	1	R171919	Check Valve Seat
9	1	R172435	Check ball
11	2	R270484	1 in. Close nipple
12	1	R270531	1 in. Threaded union
13	1	R172439	Control valve
14	1	R172036	Silicone lubricant, 3/4 oz.
15	Opt.	R172288	1-1/2 in.-2 in. Check valve
16	1	R175009	Hose Bib w/t Handle 1/2 in.
17	1	R172134	1/2 in. threaded plug
NOT SHOWN			
		R172082	Flow rate indicator

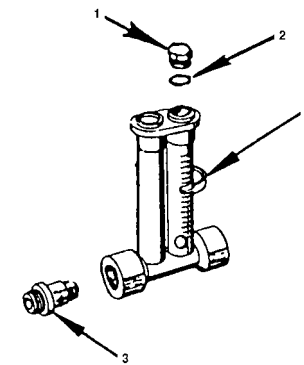
# EXTENSIONS / DISPENSERS / FLOW INDICATORS

## REPLACEMENT PARTS

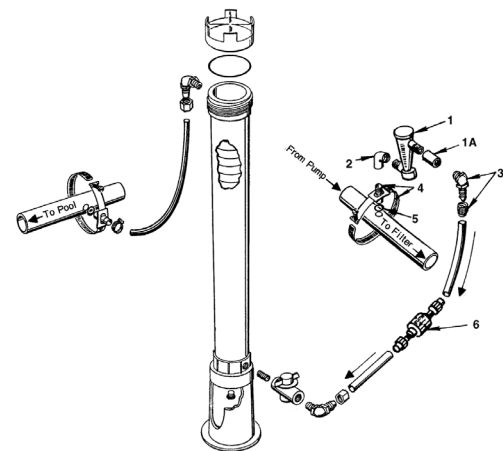
Item	Qty.	Part No.	Description
Order No.:		R172087	10 IN. EXTENSION COMPLETE
Order No.:		R172283	20 IN. EXTENSION COMPLETE
1	1	R172078	Lockscrew (bottom collar)
2	1	R172009	O-ring
Order No.:		R172080	Description: FLOW INDICATOR
1	1	R172392	Access plug 1/4 in. MPT
2	1	R172393	O-ring
3	1	R172020	Check valve
4	1	R172235	Marker clip
Order No.:		R172627	Description: CORROSION RESISTANT FLOW INDICATOR
1	1	R172276	Commercial flow indicator
1A	1	R172313	1/2 in. Coupling (included with flow indicator)
2	1	R270422	1/2 in. x 90° Elbow FPT
3	1	R172272	1/2 in. x 90° NPT x tube fitting with nut
4	1	R172628	Saddle clamp with inlet fitting (threaded)
5	1	R172263	Saddle gasket
6	1	R172324	1/2 in. Corrosion resistant check valve. Tube x tube
Order No.:		R171086	Model No.: 330 Description: FLOATING DISPENSER
1	1	R18729B	Lid only (new style - fits 'B' body)
2	1	R18856	Screen
Order No.:		R171130	Description: SPLASHER POOL/ SPA DISPENSER
1	1	R18902	Cap
Order No.:		R171090	Model No.: 335 Description: SPA OR SMALL POOL FLOATING DISPENSERS
1	1	R18855	Screen
1	1	R18819	Lock ring



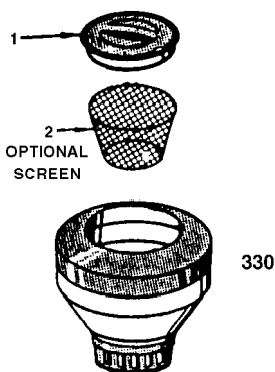
R172087 R172283



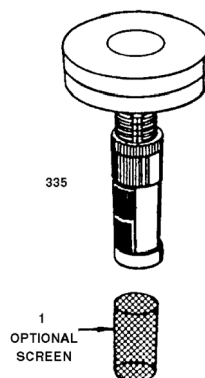
R172080



R172627



R171086



R171090

Replacement parts pricing on page 635. Product on page 255.

