

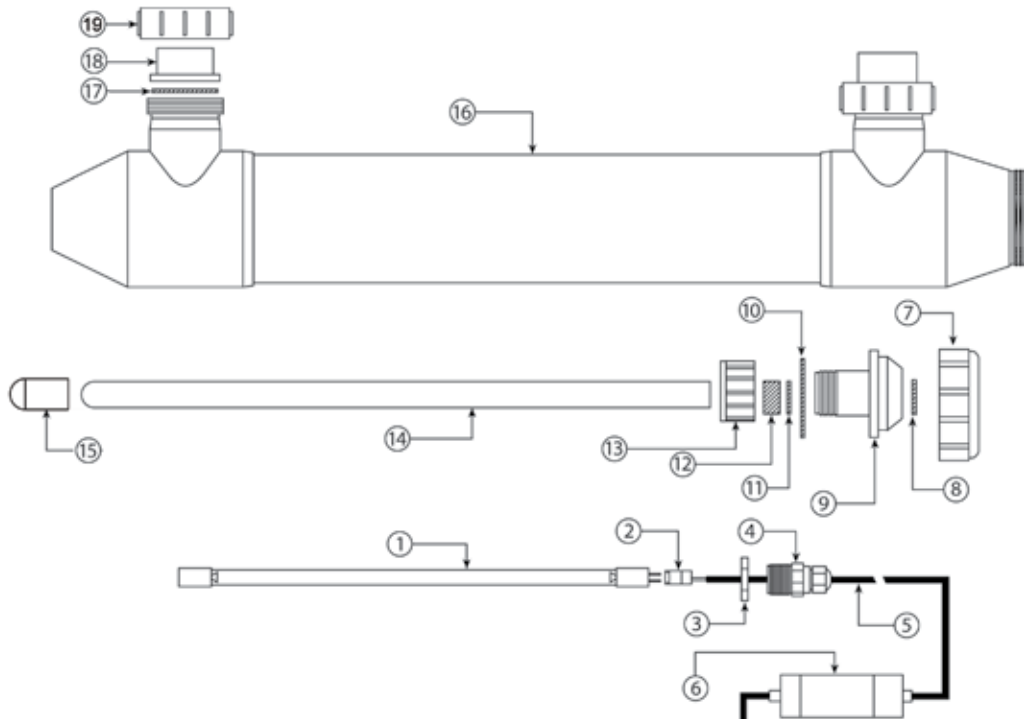


SANITIZER PARTS

RESIDENTIAL BIOSHIELD® UV STERILIZER

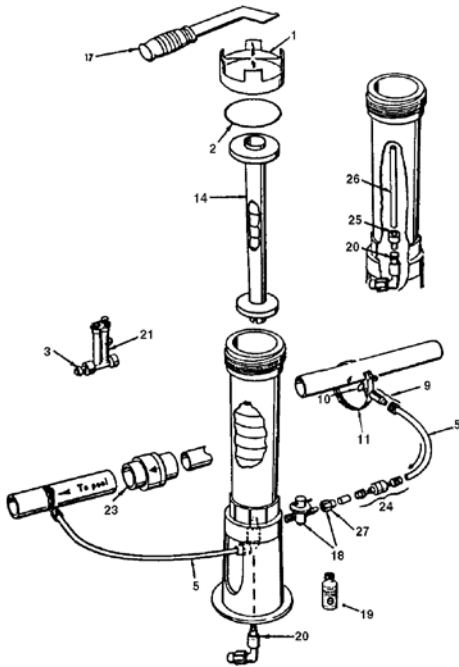
REPLACEMENT PARTS

Item	Part No.	Description	US List	Cam. List
1	523035	50 Watt UV Lamp for Model #522935	155.07	186.33
1	523036	80 Watt UV Lamp for Model #522936	167.60	201.39
1	523037	120 Watt UV Lamp for Model #522937	192.75	231.61
1	523038	150 Watt UV Lamp for Model #522938 and #522945	176.03	211.52
2	523034	4-Pin Lamp Connector	4.25	5.11
7	523121	Black Retaining Nut	9.42	11.32
14	523039	Quartz Sleeve 22.25" for Model #522935	73.33	88.11
14	523040	Quartz Sleeve 38.25" for Model #522936	83.81	100.71
14	523041	Quartz Sleeve 50.75" for Model #522937	125.89	151.27
14	523042	Quartz Sleeve 65.00" for Model #522938 and #522945	104.77	125.89
15	523110	50 Watt UV Sterilizer Housing	702.19	843.75
15	523111	80 Watt UV Sterilizer Housing	735.77	884.10
15	523112	120 Watt UV Sterilizer Housing	760.33	913.61
15	523113	150 Watt UV Sterilizer Housing	1,044.80	1,255.43
KITS				
	523013	Air Relief Kit	286.88	344.72
	523032	Ballast Assembly for Model # 522935-522637	339.95	408.48
	523033	Ballast Assembly for Model # 522638	699.40	840.40
	523053	Ballast Assembly for Model # 522945	699.40	840.40
	523054	Quartz Sleeve Module - All Models (Includes Item # 9, 10, 11, 12,13)	186.37	223.94
	523122	Union Assembly for Models # 522935-522637 [2"]	93.67	112.55
	523148	Union Assembly for Models # 522638-522945 [3"]	310.19	372.72
	523031	Seal Kit - All Models (Includes Item # 8, 10, 11, 12, 16)	55.91	67.18



AUTOMATIC FEEDER - MODEL 300, 302, 300-19, 300-29

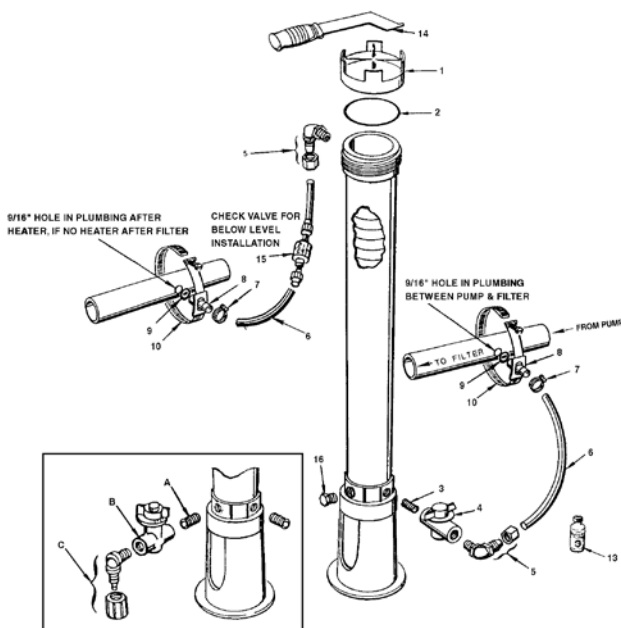
REPLACEMENT PARTS



Item	Qty.	Part No.	Description	US List	Can. List
Order No.:		R171016		R171026	
Model No.:		300		302	
Description:		AUTOMATIC FEEDER		SPA HOT TUB	
1	1	R172008W	3 in. threaded cap, white	17.81	21.40
2	1	R172009	O-ring, cap	6.92	8.32
3	Opt.	R172020	Check valve Old Style	4.70	5.65
5	1	R172023	3/8 in. o.d. x 1/4 in. i.d. tubing, 8 ft.	8.80	10.57
9	2	R172032	Tube fitting with compression nut	5.87	7.05
10	2	R172033	Gasket	2.20	2.64
11	2	R172034	Saddle clamp	5.87	7.05
14	1	R172037	Spa chamber #302 only	16.35	19.65
17	Opt.	R172052	Cap wrench	28.32	34.03
18	1	R172060	Control valve 1/4 in. NPT x tube with compression nut	24.37	29.28
19	1	R172036	Silicone lubricant, 3/4 oz.	9.70	11.66
20	1	R172061	Combination check valve / elbow	6.00	7.21
21	Opt.	R172080	Flow indicator w/check valve	CALL	CALL
23	Opt.	R172288	1-1/2 in.-2 in. Corrosion resistant check valve	38.01	45.67
24	Opt.	R172323	1/4 in. Corrosion resistant check valve	17.39	20.90
25		R172061B	Standpipe adapter, Bromine	5.70	6.85
26		R18761	6 in. Standpipe 3/8 in. o.d. x 1/4 in. i.d.	1.04	1.25
27	1	R18706	Compression nut only	1.49	1.79
Order No.: R172064					
Parts bag for 300, 302, 300-19 & 300-29					
9	2	R172032	Tube fitting with compression nut	5.87	7.05
10	2	R172033	Gasket	2.20	2.64
11	2	R172034	Saddle clamp	5.87	7.05
18	1	R172060	Control valve 1/4 in. NPT x tube with compression nut	24.37	29.28
19	1	R172036	Silicone lubricant	9.70	11.66
20	1	R172061	Combination check valve / elbow	6.00	7.21

AUTOMATIC FEEDER - MODEL 300-29X

REPLACEMENT PARTS

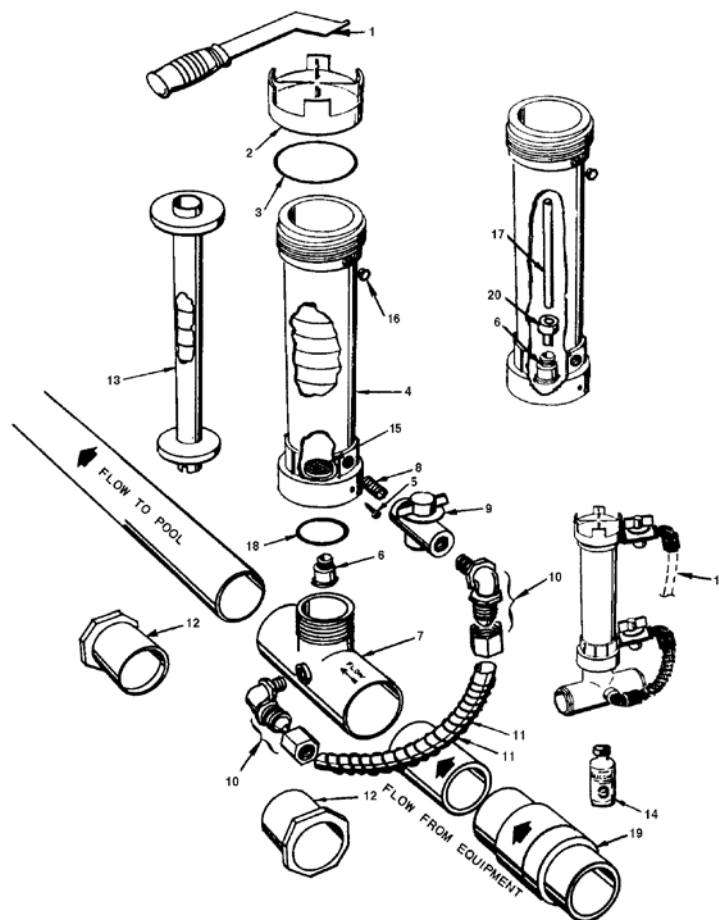


Item	Qty.	Part No.	Description	US List	Can. List
Order No.: R171070					
Model No.: 300-29X					
Description: COMMERCIAL SIZE FEEDER					
1	1	R172008W	3 in. threaded cap, white	17.81	21.40
2	1	R172009	O-ring, cap	6.92	8.32
3	1	R172256	1/2 in. x Short MPT nipple	5.70	6.85
4	1	R172086	1/2 in. Control valve	51.40	61.76
5	2	R172272	1/2 in. 90° NPT x tube fitting w/nut	7.33	8.81
5	Opt.	R172274	Compression nut only (for R172272)	2.68	3.22
6	1	R172269	1/2 in. i.d. Feeder tube, 12 ft.	17.70	21.27
7	2	R175013	S/S tubing clamp	5.87	7.05
8	2	R172262	Saddle tube fitting	5.70	6.85
9	2	R172263	Saddle gasket	2.13	2.56
10	2	R172264	Saddle clamp	10.83	13.01
10A	Opt.	R172264XL	Saddle clamp for 3 in., 4 in. & 6 in. pipe	14.37	17.27
11	1	R172392	1/4 in. MPT PVC plug (old style)	5.70	6.85
13	1	R172036	Silicone lubricant, 3/4 oz.	9.70	11.66
14	Opt.	R172052	Cap wrench	28.32	34.03
15	Opt.	R172324NS	1/2 in. Corrosion resistant check valve, tube x tube (ball)	CALL	CALL
16	1	R172134	1/2 in. MPT PVC plug	6.27	7.53

Item	Qty.	Part No.	Description	US List	Can. List
Order No.: R172275					
Parts bag for 300-29X Complete					
3	1	R172256	1/2 in. x Short MPT nipple	5.70	6.85
4	1	R172086	1/2 in. Control valve	51.40	61.76
5	2	R172272	1/2 in. 90° NPT x tube fitting w/nut	7.33	8.81
5	Opt.	R172274	Compression nut only (for R172272)	2.68	3.22
7	2	R175013	S/S tubing clamp	5.87	7.05
8	2	R172262	Saddle tube fitting	5.70	6.85
9	2	R172263	Saddle gasket	2.13	2.56
10	2	R172264	Saddle clamp	10.83	13.01
13	1	R172036	Silicone lubricant	9.70	11.66
Order No.: R172002					
Optional Drain Kit					
A		R172256	1/2 in. Short MPT nipple	5.70	6.85
B		R172086	1/2 in. Control valve	51.40	61.76
C		R172272	1/2 in. 90° NPT x tube fitting w/nut	7.33	8.81

AUTOMATIC FEEDER - MODEL 320

REPLACEMENT PARTS



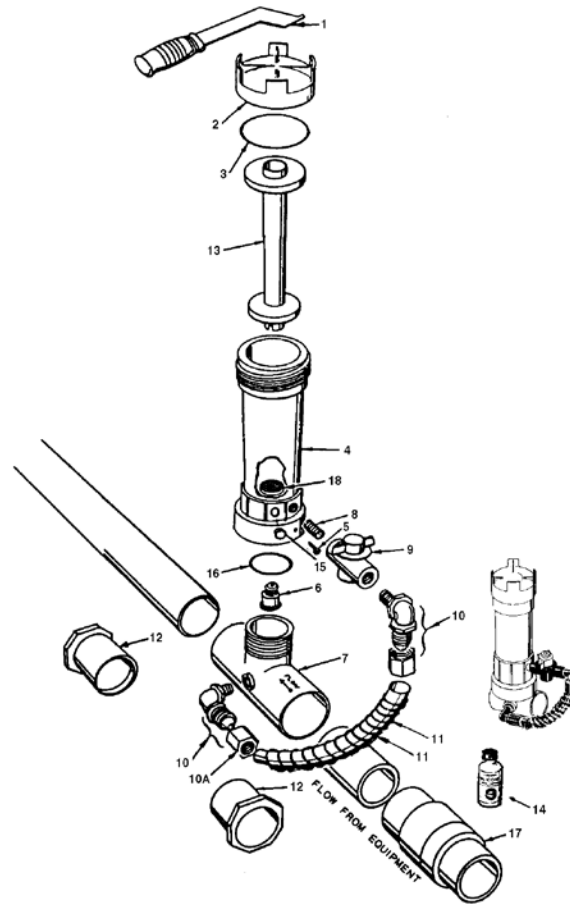
Item	Qty.	Part No.	Description	US List	Can. List
Order No.: R171096					
Model No.: 320					
Description: IN-LINE AUTOMATIC FEEDER					
1	Opt.	R172052	Cap wrench	28.32	34.03
2	1	R172008W	3 in. threaded cap - white	17.81	21.40
3	1	R172009	O-ring, cap	6.92	8.32
4	1	R172321	#320 Body only (new style)	50.76	60.99
5	1	R01052	Lock screw	1.45	1.74
6	1	R172248	Check valve	10.26	12.33
7	1	R172317	Diverter tee 1-1/2 NPT x 2 in. slip	26.54	31.89
8	1	R172256	1/2 in. x Short MPT nipple	5.70	6.85
9	1	R172086	1/2 in. Control valve	51.40	61.76
10	2	R172272	1/2 in. NPT x tube 90° ELL w/nut	7.33	8.81
10	Opt.	R172274	Compression nut only (for R172272)	2.68	3.22

Item	Qty.	Part No.	Description	US List	Can. List
11	1	R172091	5/8 in. o.d. Short feeder tube	5.52	6.63
11	Opt.	R171097	Tube support spring	5.70	6.85
12	2	R172210	2 in. x 1-1/2 in. S x S bushing for 1-1/2 in. PVC only ¹	5.70	6.85
13	Opt.	R172037	Spa chamber	16.35	19.65
14	1	R172036	Silicone lubricant, 3/4 oz.	9.70	11.66
15	1	210396	Screen	CALL	CALL
16	1	R172134	1/2 in. NPT PVC plug	6.27	7.53
17	1	R172253	5/8 in. o.d. 18 in. tube (optional top feed)	5.69	6.84
18	1	R172319	Bottom O-ring	1.45	1.74
19	Opt.	R172288	1-1/2 in. Corrosion resistant check valve	38.01	45.67
20	1	R172048B	Standpipe adapter, Bromine	1.49	1.79

¹ Not used with 2 in. PVC.

AUTOMATIC FEEDER - MODEL 322

REPLACEMENT PARTS



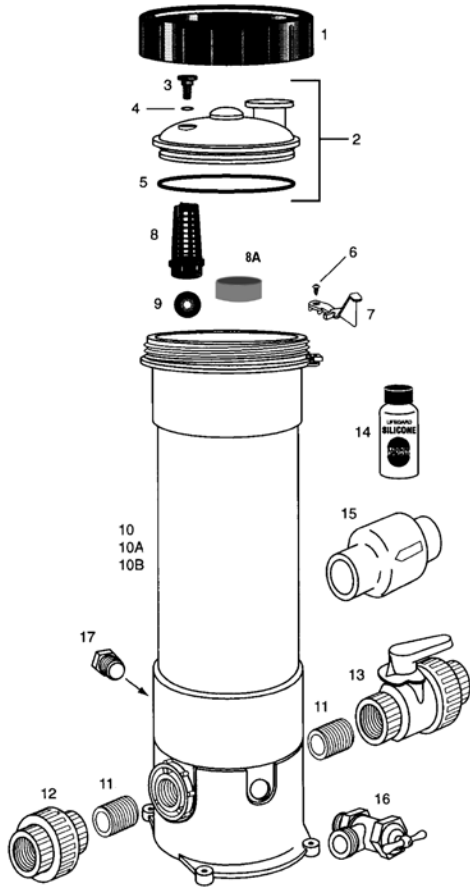
Item	Qty.	Part No.	Description	US List	Can. List
Order No.: R171100					
Model No.:		322			
Description:		IN-LINE FEEDER			
1	Opt.	R172052	Cap wrench	28.32	34.03
2	1	R172008W	3 in. threaded cap, white	17.81	21.40
3	1	R172009	O-ring, cap	6.92	8.32
5	1	R01052	Lock screw	1.45	1.74
6	1	R172331	Check valve w/ restrictor	11.16	13.41
7	1	R172317	Diverter tee 1-1/2 NPT x 2 in. slip x slip	26.54	31.89
8	1	R172256	1/2 in. x Short MPT nipple	5.70	6.85
9	1	R172086	1/2 in. Control valve	51.40	61.76
10	2	R172272	1/2 in. NPT x tube 90° ELL w/nut	7.33	8.81

Item	Qty.	Part No.	Description	US List	Can. List
10A	Opt.	R172274	Compression nut only (for R172272)	2.68	3.22
11	1	R172091	5/8 in. o.d. short feeder tube	5.52	6.63
11	1	R171097	Tube support spring	5.70	6.85
12	2	R172210	2 in. x 1-1/2 in. S x S bushing (for 1-1/2 in. PVC only) ¹	5.70	6.85
13	1	R172258	Chemical chamber	15.65	18.81
14	1	R172036	Silicone lubricant, 3/4 oz.	9.70	11.66
15	1	R172007	1/4 in. NPT plug	5.70	6.85
16	1	R172319	Bottom O-ring	1.45	1.74
17	Opt.	R172288	1-1/2 in.-2 in. Corrosion resistant check valve	38.01	45.67
18	1	210396	Screen	CALL	CALL

¹ Not used with 2 in. PVC.

HIGH CAPACITY AUTOMATIC FEEDERS MODELS HC-3315, HC-3330, HC-3340

REPLACEMENT PARTS

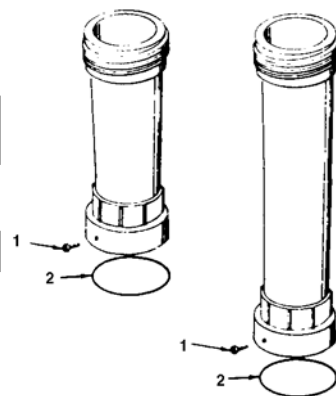


Item	Qty.	Part No.	Description	US List	Can. List
Order No.: R171215, R171230, R171240					
Model No.: HC-3315, HC-3330, HC-3340					
Description: HIGH CAPACITY AUTOMATIC FEEDER					
1	1	R172214	Lock ring	17.50	21.03
2	1	R172385D	Lid assembly complete	30.88	37.11
3	1	R172224X	Vent valve	5.70	6.85
4	1	R172221	O-ring vent valve	1.45	1.74
5	1	R172240	O-ring lid to housing	18.26	21.94
6	1	R172375	Lock screw	1.45	1.74
7	1	R172374	Lock spring	5.70	6.85
8	1	R175251	Screen	5.77	6.93
8A	1	R171919	Check Valve Seat	CALL	CALL
9	1	R172435	Check ball	1.49	1.79
11	2	R270484	1 in. Close nipple	5.70	6.85
12	1	R270531	1 in. Threaded union	17.89	21.50
13	1	R172439	Control valve	82.71	99.38
14	1	R172036	Silicone lubricant, 3/4 oz.	9.70	11.66
15	Opt.	R172288	1-1/2 in.-2 in. Check valve	38.01	45.67
16	1	R175009	Hose Bib w/t Handle 1/2 in.	17.60	21.15
17	1	R172134	1/2 in. threaded plug	6.27	7.53
NOT SHOWN					
		R172082	Flow rate indicator	CALL	CALL

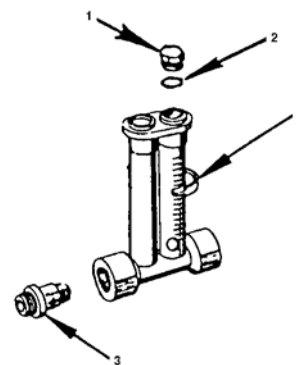
EXTENSIONS / DISPENSERS / FLOW INDICATORS

REPLACEMENT PARTS

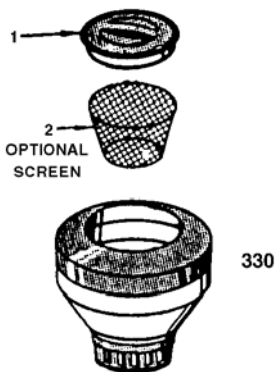
Item	Qty.	Part No.	Description	US List	Can. List
Order No.:		R172087	10 IN. EXTENSION COMPLETE		
Order No.:		R172283	20 IN. EXTENSION COMPLETE		
1	1	R172078	Lockscrew (bottom collar)	1.45	1.74
2	1	R172009	O-ring	6.92	8.32
Order No.:		R172080	Description: FLOW INDICATOR		
1	1	R172392	Access plug 1/4 in. MPT	5.70	6.85
2	1	R172393	O-ring	5.70	6.85
3	1	R172020	Check valve	4.70	5.65
4	1	R172235	Marker clip	5.87	7.05
Order No.:		R172627	Description: CORROSION RESISTANT FLOW INDICATOR		
1	1	R172276	Commercial flow indicator	66.02	79.33
1A	1	R172313	1/2 in. Coupling (included with flow indicator)	5.87	7.05
2	1	R270422	1/2 in. x 90° Elbow FPT	5.87	7.05
3	1	R172272	1/2 in. x 90° NPT x tube fitting with nut	7.33	8.81
4	1	R172628	Saddle clamp with inlet fitting (threaded)	24.60	29.56
5	1	R172263	Saddle gasket	2.13	2.56
6	1	R172324	1/2 in. Corrosion resistant check valve. Tube x tube	CALL	CALL
Order No.:		R171086	Model No.: 330		
Description:		FLOATING DISPENSER			
1	1	R18729B	Lid only (new style - fits 'B' body)	5.70	6.85
2	1	R18856	Screen	8.14	9.78
Order No.:		R171130	Description: SPLASHER POOL/SPA DISPENSER		
1	1	R18902	Cap	1.94	2.33
Order No.:		R171090	Model No.: 335		
Description:		SPA OR SMALL POOL FLOATING DISPENSERS			
1	1	R18855	Screen	3.05	3.66
1	1	R18819	Lock ring	5.56	6.68



R172087 R172283



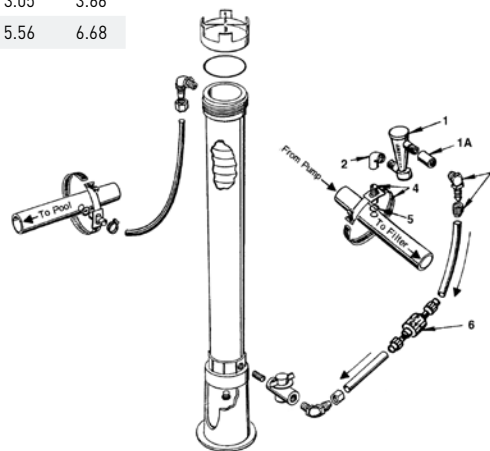
R172080



R171086



R171090



R172627

Product on page 263.