

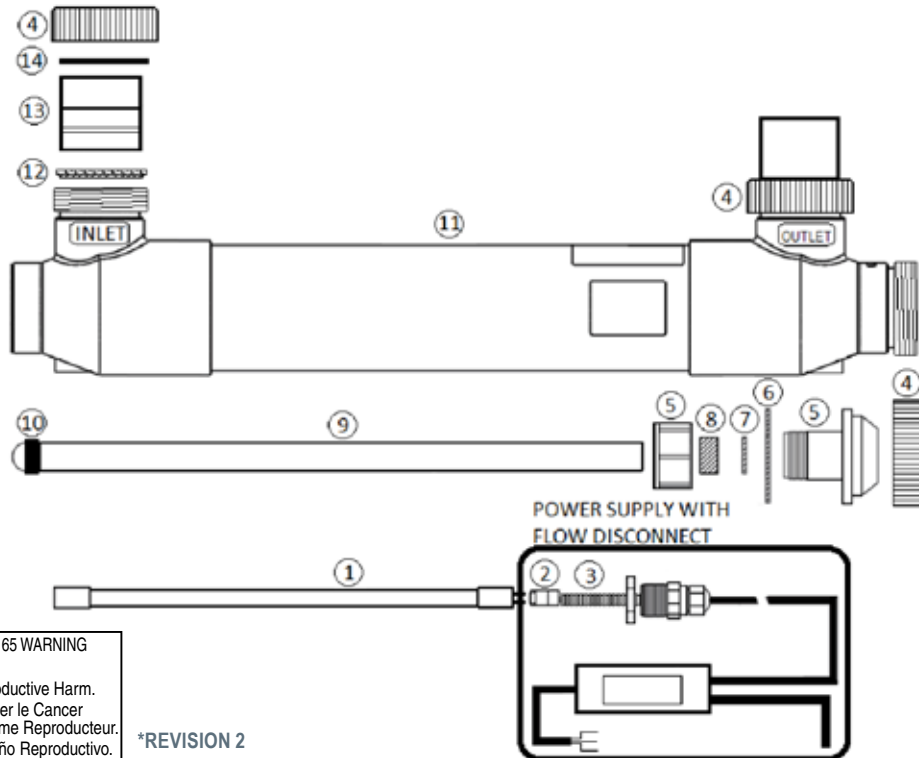
SANITIZER PARTS

Product Catalog 2020

BIOSHIELD® UV DISINFECTION STERILIZER

REPLACEMENT PARTS

Item	Part No.	Description	US List	CAN. List
1	523035	50 Watt UV Lamp for Model #522635	171.21	205.73
1	523036	80 Watt UV Lamp for Model #522636	185.05	222.36
1	523037	120 Watt UV Lamp for Model #522637	212.81	255.71
1	523038	150 Watt UV Lamp for Model #522638 and #522945	194.34	233.52
2	523034	4-Pin Lamp Connector	4.69	5.64
3	523423	Lamp Spacer	29.08	34.94
4	411000	Black Retaining Nut	21.20	25.47
9	523039	Quartz Sleeve 22.25" for Model #522635	80.96	97.28
9	523040	Quartz Sleeve 38.25" for Model #522636	92.53	111.18
9	523041	Quartz Sleeve 50.75" for Model #522637	138.99	167.01
9	523042	Quartz Sleeve 65.00" for Model #522638 and #522945	115.67	138.99
10	523403	Quartz Sleeve Dampener Band	14.54	17.47
11	523110	50 Watt UV Sterilizer Housing	775.28	931.58
11	523111	80 Watt UV Sterilizer Housing	812.35	976.12
11	523112	120 Watt UV Sterilizer Housing	839.46	1008.70
11	523113	150 Watt UV Sterilizer Housing	1153.54	1386.09
KITS				
	523013	Air Relief Kit	316.74	380.59
	523460	Ballast Assembly Only with Flow Switch Input Model #522635 - 522637	427.50	513.68
	523462	Ballast Assembly Only with Flow Switch Input Model #522638/522945	427.50	513.68
	523461	Ballast Assembly with Flow Switch and Tee Model #522635 - 522637	570.00	684.91
	523463	Ballast Assembly with Flow Switch and Tee Model #522638/522945	570.00	684.91
	523382	Quartz Sleeve Module - All Models (Includes Item # 5, 7, 8)	205.75	247.23
	410020	Union Assembly for Models # 522935-522638 (2"/2.5" - Includes Item # 12, 13, 14, 4)	157.79	189.60
	523148	Union Assembly for Models # 522638-522945 (3") *	342.48	411.52
	523383	Seal Kit - All Models (Includes Item # 6, 7, 8)	61.73	74.17
	410016Z	Seal Kit Union (Includes 2 of Item #12)	13.05	15.68



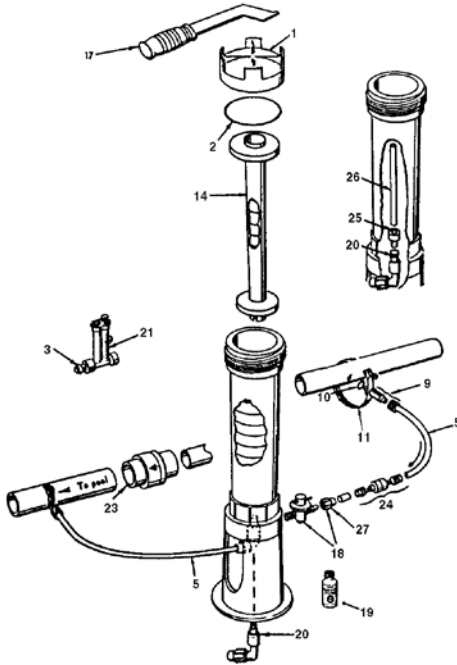
CALIFORNIA PROPOSITION 65 WARNING
 ⚠️ **WARNING:** Cancer and Reproductive Harm.
 ⚠️ **AVERTISSEMENT:** Peut Causer le Cancer et des Dommages au Système Reproducteur.
 ⚠️ **ADVERTENCIA:** Cáncer y Daño Reproductivo.
www.p65warnings.ca.gov PN 201714

*REVISION 2

Product on page 266.

AUTOMATIC FEEDER - MODEL 300, 302, 300-19, 300-29

REPLACEMENT PARTS



Item	Qty.	Part No.	Description	US List	Can. List
Order No.:		R171016		R171026	
Model No.:		300		302	
Description:		AUTOMATIC FEEDER		SPA HOT TUB FEEDER	

1	1	R172008W	3 in. threaded cap, white	19.67	23.64
2	1	R172009Z	O-ring, cap	CALL	CALL
3	Opt.	R172020	Check valve Old Style	5.19	6.24
5	1	R172023Z	3/8 in. o.d. x 1/4 in. i.d. tubing, 8 ft.	CALL	CALL
9	2	R172032Z	Tube fitting with compression nut	CALL	CALL
10	2	R172033Z	Gasket	CALL	CALL
11	2	R172034Z	Saddle clamp	CALL	CALL
14	1	R172037	Spa chamber #302 only	18.06	21.70
17	Opt.	R172052	Cap wrench	31.27	37.57
18	1	R172060Z	Control valve 1/4 in. NPT x tube with compression nut	CALL	CALL
19	1	R172036Z	Silicone lubricant, 3/4 oz.	CALL	CALL
20	1	R172061Z	Combination check valve / elbow	CALL	CALL
21	Opt.	R172080	Flow indicator w/check valve	CALL	CALL
23	Opt.	R172288	1-1/2 in.-2 in. Corrosion resistant check valve	41.96	50.42
24	Opt.	R172323	1/4 in. Corrosion resistant check valve	19.21	23.08
25		R172061ZB	Standpipe adapter, Bromine	CALL	CALL
26		R18761	6 in. Standpipe 3/8 in. o.d. x 1/4 in. i.d.	1.15	1.38
27	1	R18706	Compression nut only	1.64	1.97

Order No.: R172064

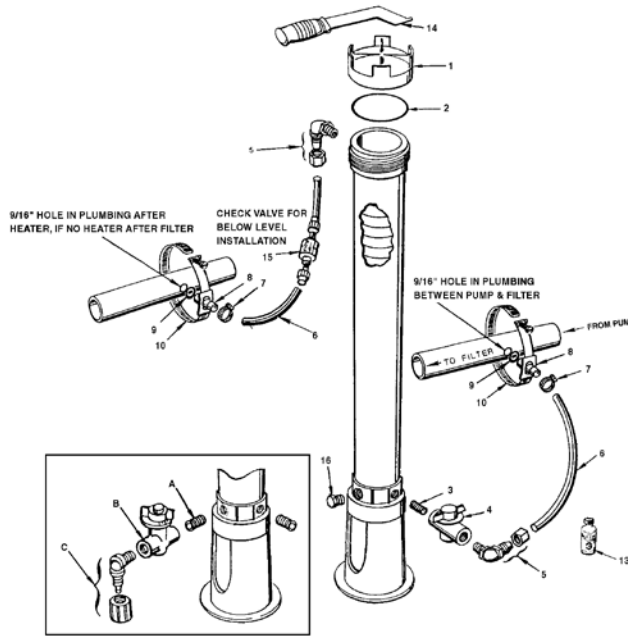
Parts bag for 300, 302, 300-19 & 300-29

9	2	R172032Z	Tube fitting with compression nut	6.47	7.77
10	2	R172033Z	Gasket	2.43	2.92
11	2	R172034Z	Saddle clamp	6.47	7.77
18	1	R172060Z	Control valve 1/4 in. NPT x tube with compression nut	26.90	32.32
19	1	R172036Z	Silicone lubricant	10.70	12.86
20	1	R172061Z	Combination check valve / elbow	6.63	7.97

CALIFORNIA PROPOSITION 65 WARNING
 ⚠️ **WARNING:** Cancer and Reproductive Harm.
 ⚠️ **AVERTISSEMENT:** Peut Causer le Cancer et des Dommages au Système Reproducteur.
 ⚠️ **ADVERTENCIA:** Cáncer y Daño Reproductivo.
www.p65warnings.ca.gov P8-2017-14

AUTOMATIC FEEDER - MODEL 300-29X

REPLACEMENT PARTS



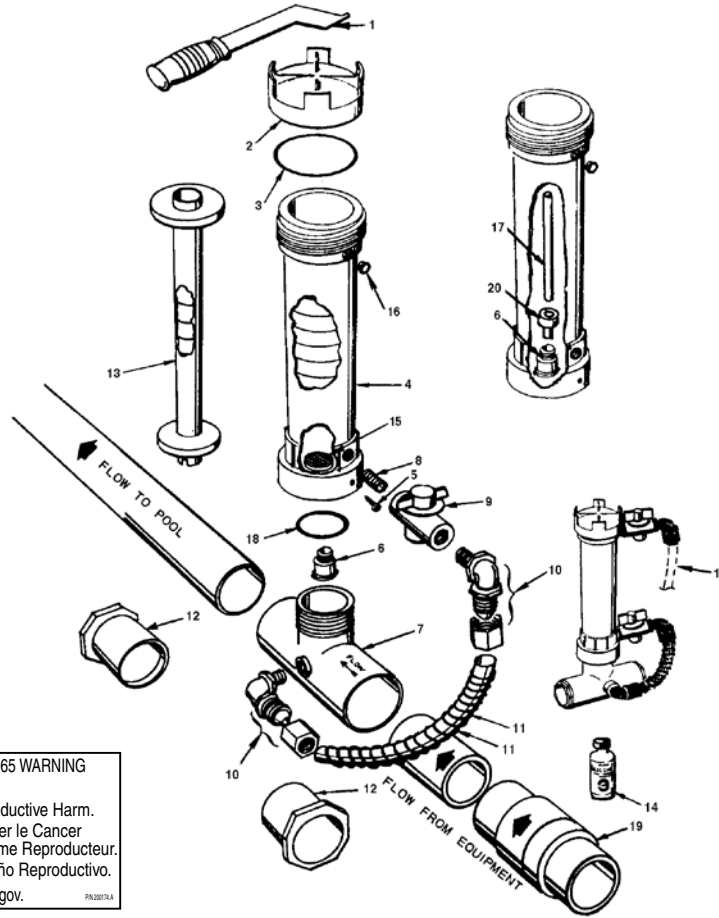
Item	Qty.	Part No.	Description	US List	Can. List
Order No.:		R171070			
Model No.:		300-29X			
Description:		COMMERCIAL SIZE FEEDER			
1	1	R172008W	3 in. threaded cap, white	19.67	23.64
2	1	R172009Z	O-ring, cap	7.64	9.18
3	1	R172256	1/2 in. x Short MPT nipple	6.29	7.56
4	1	R172086Z	1/2 in. Control valve	56.75	68.19
5	2	R172272	1/2 in. 90° NPT x tube fitting w/nut	8.08	9.71
5	Opt.	R172274	Compression nut only (for R172272)	2.97	3.57
6	1	R172269	1/2 in. i.d. Feeder tube, 12 ft.	19.54	23.48
7	2	R175013	S/S tubing clamp	6.47	7.77
8	2	R172262	Saddle tube fitting	6.29	7.56
9	2	R172263	Saddle gasket	2.36	2.84
10	2	R172264	Saddle clamp	11.96	14.37
10A	Opt.	R172264XL	Saddle clamp for 3 in., 4 in. & 6 in. pipe	15.86	19.06
11	1	R172392	1/4 in. MPT PVC plug (old style)	6.29	7.56
13	1	R172036Z	Silicone lubricant, 3/4 oz.	10.70	12.86
14	Opt.	R172052	Cap wrench	31.27	37.57
15	Opt.	R172324NS	1/2 in. Corrosion resistant check valve, tube x tube (ball)	CALL	CALL
16	1	R172134	1/2 in. MPT PVC plug	6.92	8.32

Item	Qty.	Part No.	Description	US List	Can. List
Order No.:		R172275			
Parts bag for 300-29X Complete					
3	1	R172256	1/2 in. x Short MPT nipple	6.29	7.56
4	1	R172086Z	1/2 in. Control valve	56.75	68.19
5	2	R172272	1/2 in. 90° NPT x tube fitting w/nut	8.08	9.71
5	Opt.	R172274	Compression nut only (for R172272)	2.97	3.57
7	2	R175013	S/S tubing clamp	6.47	7.77
8	2	R172262	Saddle tube fitting	6.29	7.56
9	2	R172263	Saddle gasket	2.36	2.84
10	2	R172264	Saddle clamp	11.96	14.37
13	1	R172036Z	Silicone lubricant	10.70	12.86
Order No.:		R172002			
Optional Drain Kit					
A		R172256	1/2 in. Short MPT nipple	6.29	7.56
B		R172086Z	1/2 in. Control valve	56.75	68.19
C		R172272	1/2 in. 90° NPT x tube fitting w/nut	8.08	9.71

CALIFORNIA PROPOSITION 65 WARNING
 ⚠️ WARNING: Cancer and Reproductive Harm.
 ⚠️ AVERTISSEMENT: Peut Causer le Cancer et des Dommages au Système Reproducteur.
 ⚠️ ADVERTENCIA: Cáncer y Daño Reproductivo.
www.p65warnings.ca.gov

AUTOMATIC FEEDER - MODEL 320

REPLACEMENT PARTS



CALIFORNIA PROPOSITION 65 WARNING
 ⚠️ **WARNING:** Cancer and Reproductive Harm.
 ⚠️ **AVERTISSEMENT:** Peut Causer le Cancer et des Dommages au Système Reproducteur.
 ⚠️ **ADVERTENCIA:** Cáncer y Daño Reproductivo.
www.p65warnings.ca.gov

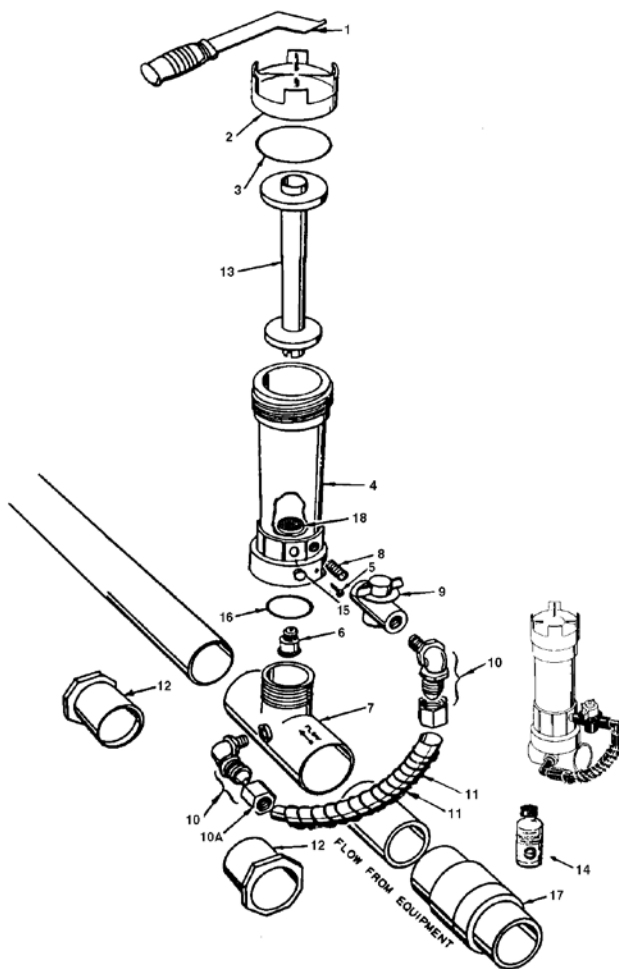
Item	Qty.	Part No.	Description	US List	Can. List
Order No.: R171096					
Model No.: 320					
Description: IN-LINE AUTOMATIC FEEDER					
1	Opt.	R172052	Cap wrench	31.27	37.57
2	1	R172008W	3 in. threaded cap - white	19.67	23.64
3	1	R172009Z	O-ring, cap	7.64	9.18
4	1	R172321	#320 Body only (new style)	56.04	67.34
5	1	R01052	Lock screw	1.60	1.92
6	1	R172248	Check valve	11.33	13.61
7	1	R172317	Diverter tee 1-1/2 NPT x 2 in. slip	29.30	35.21
8	1	R172256	1/2 in. x Short MPT nipple	6.29	7.56
9	1	R172086Z	1/2 in. Control valve	56.75	68.19
10	2	R172272	1/2 in. NPT x tube 90° ELL w/nut	8.08	9.71
10	Opt.	R172274	Compression nut only (for R172272)	2.97	3.57

Item	Qty.	Part No.	Description	US List	Can. List
11	1	R172091	5/8 in. o.d. Short feeder tube	6.09	7.32
11	Opt.	R171097	Tube support spring	6.29	7.56
12	2	R172210	2 in. x 1-1/2 in. S x S bushing for 1-1/2 in. PVC only ¹	6.29	7.56
13	Opt.	R172037	Spa chamber	18.06	21.70
14	1	R172036Z	Silicone lubricant, 3/4 oz.	10.70	12.86
15	1	210396Z	Screen	2.66	3.20
16	1	R172134	1/2 in. NPT PVC plug	6.92	8.32
17	1	R172253Z	5/8 in. o.d. 18 in. tube (optional top feed)	6.28	7.55
18	1	R172319	Bottom O-ring	1.60	1.92
19	Opt.	R172288	1-1/2 in. Corrosion resistant check valve	41.96	50.42
20	1	R172048B	Standpipe adapter, Bromine	1.64	1.97

¹ Not used with 2 in. PVC.

AUTOMATIC FEEDER - MODEL 322

REPLACEMENT PARTS



Item	Qty.	Part No.	Description	US List	Can. List
Order No.: R171100					
Model No.: 322					
Description: IN-LINE FEEDER					
1	Opt.	R172052	Cap wrench	31.27	37.57
2	1	R172008W	3 in. threaded cap, white	19.67	23.64
3	1	R172009Z	O-ring, cap	7.64	9.18
5	1	R01052	Lock screw	1.60	1.92
6	1	R172331	Check valve w/ restrictor	12.32	14.80
7	1	R172317	Diverter tee 1-1/2 NPT x 2 in. slip x slip	29.30	35.21
8	1	R172256	1/2 in. x Short MPT nipple	6.29	7.56
9	1	R172086Z	1/2 in. Control valve	56.75	68.19
10	2	R172272	1/2 in. NPT x tube 90° ELL w/nut	8.08	9.71

Item	Qty.	Part No.	Description	US List	Can. List
10A	Opt.	R172274	Compression nut only (for R172272)	2.97	3.57
11	1	R172091	5/8 in. o.d. short feeder tube	6.09	7.32
11	1	R171097	Tube support spring	6.29	7.56
12	2	R172210	2 in. x 1-1/2 in. S x S bushing (for 1-1/2 in. PVC only) ¹	6.29	7.56
13	1	R172258	Chemical chamber	17.28	20.76
14	1	R172036Z	Silicone lubricant, 3/4 oz.	10.70	12.86
15	1	R172007	1/4 in. NPT plug	6.29	7.56
16	1	R172319	Bottom O-ring	1.60	1.92
17	Opt.	R172288	1-1/2 in.-2 in. Corrosion resistant check valve	41.96	50.42
18	1	210396Z	Screen	2.66	3.20

¹ Not used with 2 in. PVC.

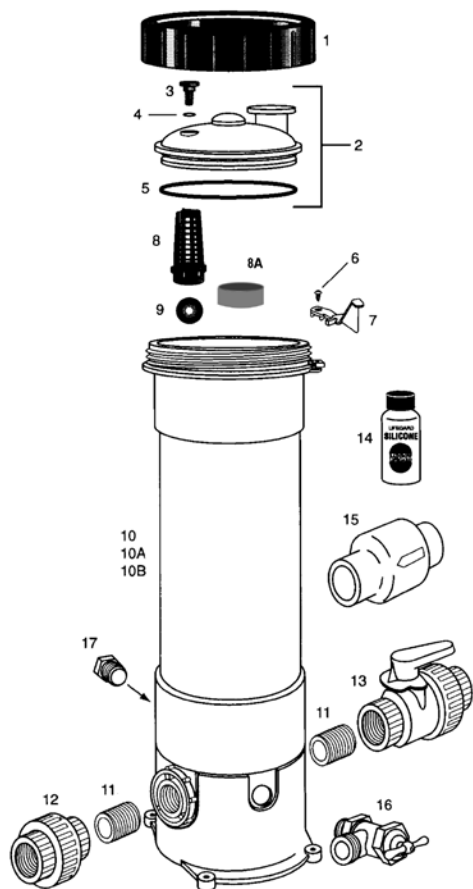
CALIFORNIA PROPOSITION 65 WARNING

⚠️ **WARNING:** Cancer and Reproductive Harm.
 ⚠️ **AVERTISSEMENT:** Peut Causer le Cancer et des Dommages au Système Reproducteur.
 ⚠️ **ADVERTENCIA:** Cáncer y Daño Reproductivo.

www.p65warnings.ca.gov
PR030714A

HIGH CAPACITY AUTOMATIC FEEDERS MODELS HC-3315, HC-3330, HC-3340

REPLACEMENT PARTS



Item	Qty.	Part No.	Description	US List	Can. List
Order No.: R171215, R171230, R171240					
Model No.: HC-3315, HC-3330, HC-3340					
Description: HIGH CAPACITY AUTOMATIC FEEDER					
1	1	R172214	Lock ring	19.32	23.21
2	1	R172385D	Lid assembly complete	34.09	40.96
3	1	R172224X	Vent valve	6.29	7.56
4	1	R172221	O-ring vent valve	1.60	1.92
5	1	R172240	O-ring lid to housing	20.16	24.22
6	1	R172375	Lock screw	1.60	1.92
7	1	R172374	Lock spring	6.29	7.56
8	1	R175251	Screen	6.37	7.65
8A	1	R171919	Check Valve Seat	CALL	CALL
9	1	R172435	Check ball	1.64	1.97
11	2	R270484	1 in. Close nipple	6.29	7.56
12	1	R270531	1 in. Threaded union	19.75	23.73
13	1	R172439	Control valve	91.32	109.73
14	1	R172036Z	Silicone lubricant, 3/4 oz.	10.70	12.86
15	Opt.	R172288	1-1/2 in.-2 in. Check valve	41.96	50.42
16	1	R175009	Hose Bib w/t Handle 1/2 in.	19.43	23.35
17	1	R172134	1/2 in. threaded plug	6.92	8.32
NOT SHOWN					
		R172082	Flow rate indicator	CALL	CALL

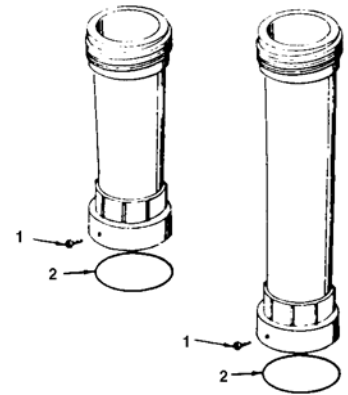
CALIFORNIA PROPOSITION 65 WARNING

⚠ **WARNING:** Cancer and Reproductive Harm.
 ⚠ **AVERTISSEMENT:** Peut Causer le Cancer et des Dommages au Système Reproducteur.
 ⚠ **ADVERTENCIA:** Cáncer y Daño Reproductivo.
www.p65warnings.ca.gov

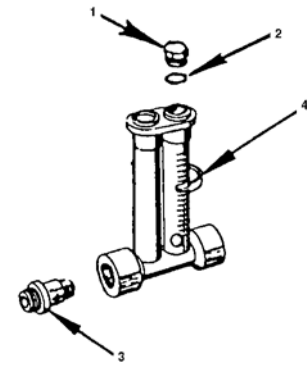
EXTENSIONS / DISPENSERS / FLOW INDICATORS

REPLACEMENT PARTS

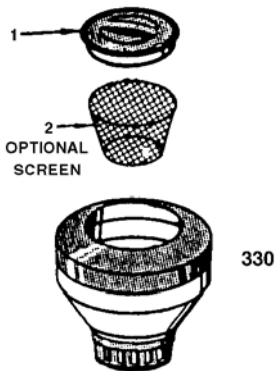
Item	Qty.	Part No.	Description	US List	Can. List
Order No.: R172087 10 IN. EXTENSION COMPLETE					
Order No.: R172283 20 IN. EXTENSION COMPLETE					
1	1	R172078	Lockscrew (bottom collar)	1.60	1.92
2	1	R172009Z	O-ring	7.64	9.18
Order No.: R172080 Description: FLOW INDICATOR					
1	1	R172392	Access plug 1/4 in. MPT	6.29	7.56
2	1	R172393	O-ring	6.29	7.56
3	1	R172020	Check valve	5.19	6.24
4	1	R172235	Marker clip	6.47	7.77
Order No.: R172627 Description: CORROSION RESISTANT FLOW INDICATOR					
1	1	R172276	Commercial flow indicator	72.89	87.58
1A	1	R172313	1/2 in. Coupling (included with flow indicator)	6.47	7.77
2	1	R270422	1/2 in. x 90° Elbow FPT	6.47	7.77
3	1	R172272	1/2 in. x 90° NPT x tube fitting with nut	8.08	9.71
4	1	R172628	Saddle clamp with inlet fitting (threaded)	27.16	32.64
5	1	R172263	Saddle gasket	2.36	2.84
6	1	R172324	1/2 in. Corrosion resistant check valve. Tube x tube	CALL	CALL
Order No.: R171086 Model No.: 330 Description: FLOATING DISPENSER					
1	1	R18729B	Lid only (new style – fits 'B' body)	6.29	7.56
2	1	R18856	Screen	8.99	10.80
Order No.: R171130 Description: SPLASHER POOL/SPA DISPENSER					
1	1	R18902	Cap	2.14	2.57
Order No.: R171090 Model No.: 335 Description: SPA OR SMALL POOL FLOATING DISPENSERS					
1	1	R18855	Screen	3.37	4.05
1	1	R18819	Lock ring	6.15	7.39



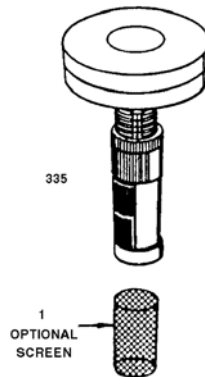
R172087 R172283



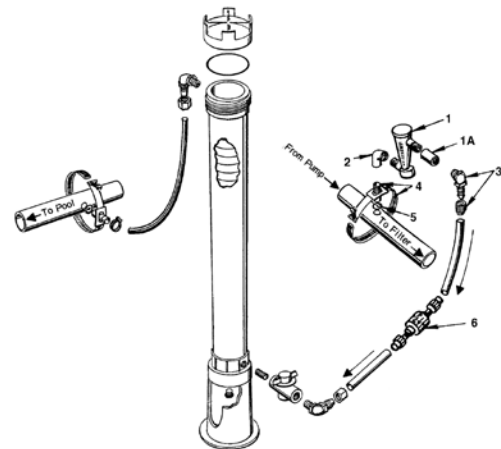
R172080



R171086



R171090



R172627

CALIFORNIA PROPOSITION 65 WARNING
 ⚠️ **WARNING:** Cancer and Reproductive Harm.
 ⚠️ **AVERTISSEMENT:** Peut Causer le Cancer et des Dommages au Système Reproducteur.
 ⚠️ **ADVERTENCIA:** Cáncer y Daño Reproductivo.
www.p65warnings.ca.gov PR 202514